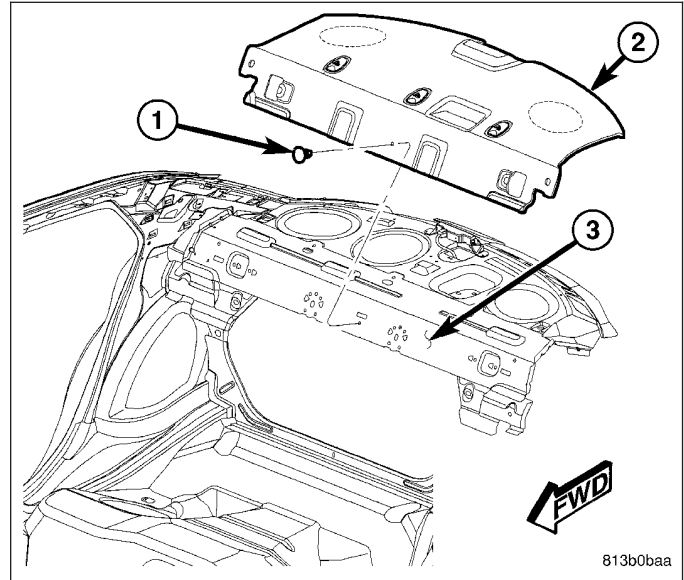


REAR SHELF TRIM PANEL

REMOVAL

1. Disconnect and isolate the battery negative cable.
2. Remove the right and left lower and upper C-pillar trim from the vehicle. (Refer to 23 - BODY/INTERIOR/C-PILLAR TRIM - REMOVAL).
3. Remove the nut that secures the center rear seat belt lower anchor to the stud on the floor panel and feed the seat belt webbing back through the opening in the top of the rear shelf panel trim (2) to the retractor.
4. Remove the push-pin fastener (1) that secures the trim to the rear shelf panel (3).
5. Slide the trim forward to disengage the S-clip that secures the underside of the trim to the center of the shelf panel.
6. Remove the trim from the rear shelf panel.



INSTALLATION

1. Position the trim (2) onto the rear shelf panel (3).
2. Slide the rear edge of the trim rearward to engage the lens bezel of the center high-mounted stop lamp and far enough to engage the S-clip that secures the underside of the trim to the center of the shelf panel.
3. Install the push-pin fastener (1) that secures the trim to the rear shelf panel.
4. Pull the center rear seat belt lower anchor and belt webbing from the retractor through the opening in the top of the rear shelf panel trim and back down to the stud on the floor panel.
5. Install and tighten the nut that secures the seat belt lower anchor to the stud on the floor panel. Tighten the nut to 34 N·m (25 ft. lbs.).
6. Reinstall the right and left upper and lower C-pillar trim to the vehicle. (Refer to 23 - BODY/INTERIOR/C-PILLAR TRIM - INSTALLATION).
7. Reconnect the battery negative cable.

